



OUR FACTORY



021 001 0595
orders@voguedoors.co.za
www.voguedoors.co.za



Proudly made
in South Africa



Our Vogue Doors are made
from recyclable materials

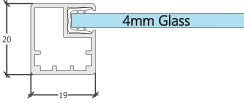
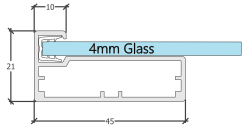


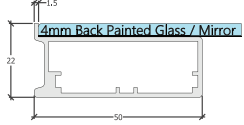
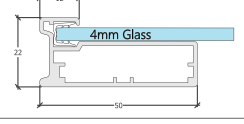
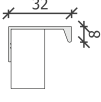
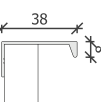
ABOUT VOGUE DOORS

Vogue Doors manufactures fully assembled custom sized aluminium and glass framed cabinet and sliding wardrobe doors.

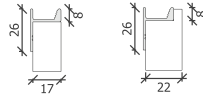
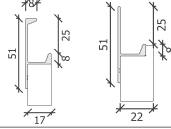
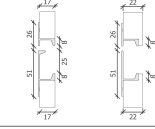


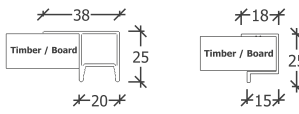

WHY VOGUE DOORS?

- We are a dedicated manufacturer of custom aluminium framed cabinet and sliding doors.
- Our focus is on trade clients, producing exceptional quality doors for kitchen, furniture, bathroom, office and wardrobe applications.
- We strive to provide the highest level of customer service and support, in a prompt and professional manner.

QUICK GUIDE

NAME	DESCRIPTION	SECTION VIEW	PAGE
	What we offer		Pg 1
VD1	20 x 20mm Cabinet door frame		Pg 2
VD2	45 x 20mm Cabinet door frame		Pg 3
VD3	50 x 22mm Cabinet door frame		Pg 4
VD4	45 x 16mm Cabinet door frame		Pg 5
VD7	50 x 22mm Finger grip frame - 1.5mm		Pg 6
VD8	50 x 22mm Finger grip frame - 12mm		Pg 7
VD5	32mm Cabinet door strip handle		Pg 8
VD6	38mm Cabinet door strip handle		Pg 9

QUICK GUIDE

NAME	DESCRIPTION	SECTION VIEW	PAGE
VD9	Finger grip handle profiles - short		Pg 10
VD10	Finger grip handle profiles - long		Pg 10
VD9 & VD10	Handle profiles and custom size handles		Pg 11
M01	Small cabinet sliding door system		Pg 12
M02	Wardrobe sliding systems		Pg 13 - 14
M03	Wardrobe sliding systems		Pg 15 - 16
M02 / M03 sliding door system	How to order		Pg 17 - 18
VD11 & VD12	Wardrobe sliding door strip handle		Pg 18
M04	Wardrobe sliding systems		Pg 19 - 20
M04 sliding door system	How to order		Pg 21
M05	Top Hanging folding sliding door system		Pg 22
M08	Glass cabinet door sliding system		Pg 23
M18	Telescopic sliding door system		Pg 24 - 25
M19	Folding Partition sliding stacking door system		Pg 26
M20	Top Hung sliding system		Pg 27
vCUBE	Shelving systems for Kitchens and furniture		Pg 28 - 29
vWall	Wall panel system for Wardrobes and Living rooms		Pg 30 - 33

WHAT WE OFFER

Quality_ Non negotiable for us. We pride ourselves in producing the highest quality aluminium doors available in the industry for over 15 years.

Custom manufactured_ Cut, drilled and assembled to exact customer specifications.

Lead times_ Varies depending on quantity and glass type. Our promise is to strive to deliver doors in good time while maintaining the highest quality possible.

Fully assembled & ready to hang_ Doors are delivered ready to fit including drilling for hinge holes and certain lift up fittings.

Frames only option_ Order your frames to size, we'll prepare them and deliver ready to have glass fitted.

Aluminium frame finishes_ We offer a range of finishes:

STANDARD

SHORT CODE	NAME	COLOUR
ALU	Natural Anodised	
BLK	Black Textured Powdercoat	

Support Local_ Our products are manufactured in Cape Town, South Africa using as many local suppliers as possible.

Warranty_ We offer a functional lifetime warranty on the workmanship of all our doors.

GLASS TERMS

TOUGHENED GLASS: Glass made 5x harder and stronger by special heating and cooling process
Glass cannot be cut, drilled or shaped once toughened

GLASS TYPES

CLEAR GLASS:

- Normal standard green glass used in many varying applications

EXTRA WHITE GLASS:

- Glass that has the impurities removed
- It does not have the typical green tinge of normal clear glass

CLEAR GLASS (TOUGHENED) WITH SANDBLAST FILM:

- Glass has a translucent look, that allows light through

TINTED GLASS (TOUGHENED):

- Grey or Bronze tinted glass available

BACK-PAINTED GLASS:

- Extra white glass (toughened) back sprayed with a colour of choice (plascon codes) or Snow White
- Matching of colours is not exact and might not match wall or cabinet door colours as you are seeing the colour through the glass.

MIRROR OPTIONS:

- Silver, Grey or Bronze mirror available
- Mirrors supplied with white or black backing film

REFLEX GLASS (TOUGHENED):

- Grey or Bronze mirror tinted glass - looks like a mirror when not backlit, but see through when backlit

REEDED GLASS (TOUGHENED):

- Clear Reeded / Fluted / Slendervue type glass

PLEASE NOTE: Due to the nature of cutting and polishing glass, tolerance of +2 - 2mm as per glass standards is deemed acceptable in industry.

AVAILABLE ON REQUEST

We do have stock of most of these options in smaller quantities.

SHORT CODE	NAME	COLOUR
WHT	White Textured Powdercoat	
GRY	Grey Textured Powdercoat	
GRP	Graphite Textured Powdercoat	
GOLD	Gold Textured Powdercoat	
PB	Pearl Beige Textured Powdercoat	
MB1	Matt Bronze 1 Anodised	





VD1

20X20MM CABINET DOOR FRAME

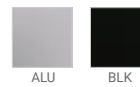
Applications: Cabinet doors only
Glass Type: All 4mm glass (See Glass Types pg 1)
Hardware Options: Special hinge & machining is required
 Spec from hardware supplier required
Max Door Size: 2200mm x 600mm (recommended)
 Over this height a divider rail is required

Special Notes

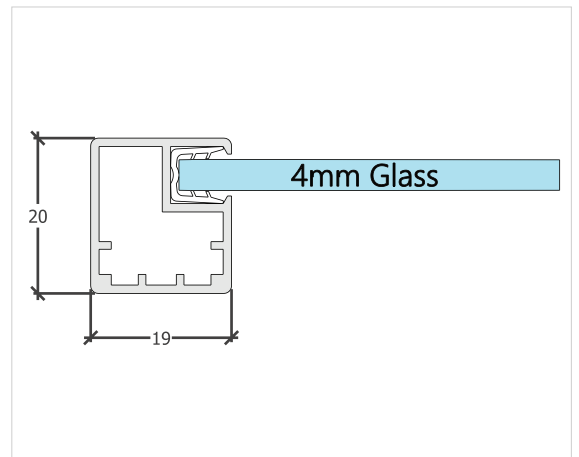
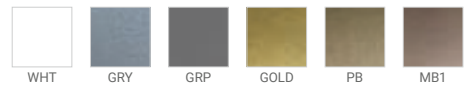
Will not work with: Drawer fronts / adaptor for lift up required

Frame Finishes

Standard:



On Request:





VD2

45X20MM CABINET DOOR FRAME

The MOST versatile & economical frame

Applications: Cabinet doors
Lift up doors
Drawer fronts

Glass Type: All 4mm glass - great option with grey tinted glass

Max Door Size: 2400mm x 600mm (recommended)

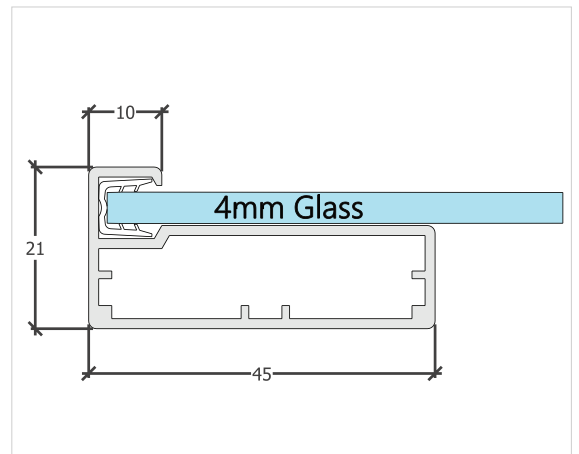
Hardware Options: Standard hinges
All lift up mechanisms and gas stays

Frame Finishes

Standard:



On Request:



VD3

50X22MM CABINET DOOR FRAME



Very modern minimalistic frame with a 1.5mm edge border.

- Applications:** Hinged cabinet doors
Lift up doors
Drawer fronts
- Glass Type:** 4mm coloured back painted glass (glued to the frame)
4mm Mirror with backing film (glued to the frame)
For a Clear seamless look - 4mm clear, grey or bronze tinted glass with a 50mm black border is available
- Max Door Size:** 2400mm x 600mm (recommended)
- Hardware Options:** Standard hinges
All lift up mechanisms and gas stays

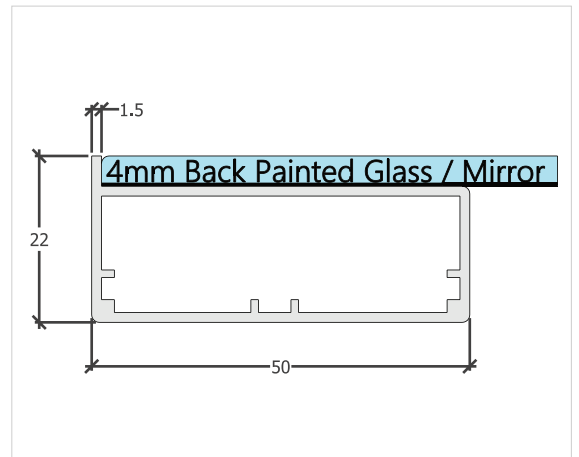
Special Notes The 1.5mm edge border creates a barrier which helps protect the vulnerable glass edges

Frame Finishes

Standard:



On Request:





VD4

45X16MM CABINET DOOR FRAME

Very modern minimalistic frame with a frameless glass or mirror look.
We recommend VD3 with 1.5mm edge as an alternative.

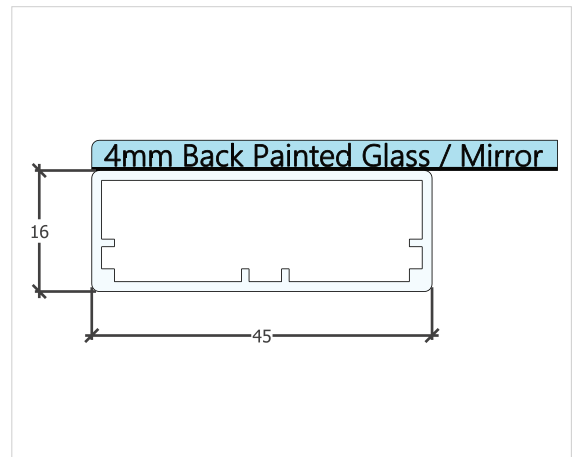
- Applications:** Cabinet doors | Lift up doors | Drawer fronts
4mm coloured back painted glass (glued to the frame)
- Glass Type:** 4mm Mirror with backing film (glued to the frame)
For a Clear seamless look - 4mm clear, grey or bronze tinted glass with a 50mm black border is available
- Max Door Size:** 2400mm x 600mm (recommended)
- Hardware Options:** Standard hinges
All lift up mechanisms and gas stays
- Special Notes** **All edges are exposed and chipping is a high risk. Handle with care.**

Frame Finishes

Standard:



On Request:





VD7

50X22MM FINGER GRIP FRAME - 1.5MM

Modern sturdy frame with an integrated finger grip handle for easy door opening (1.5mm edge border).

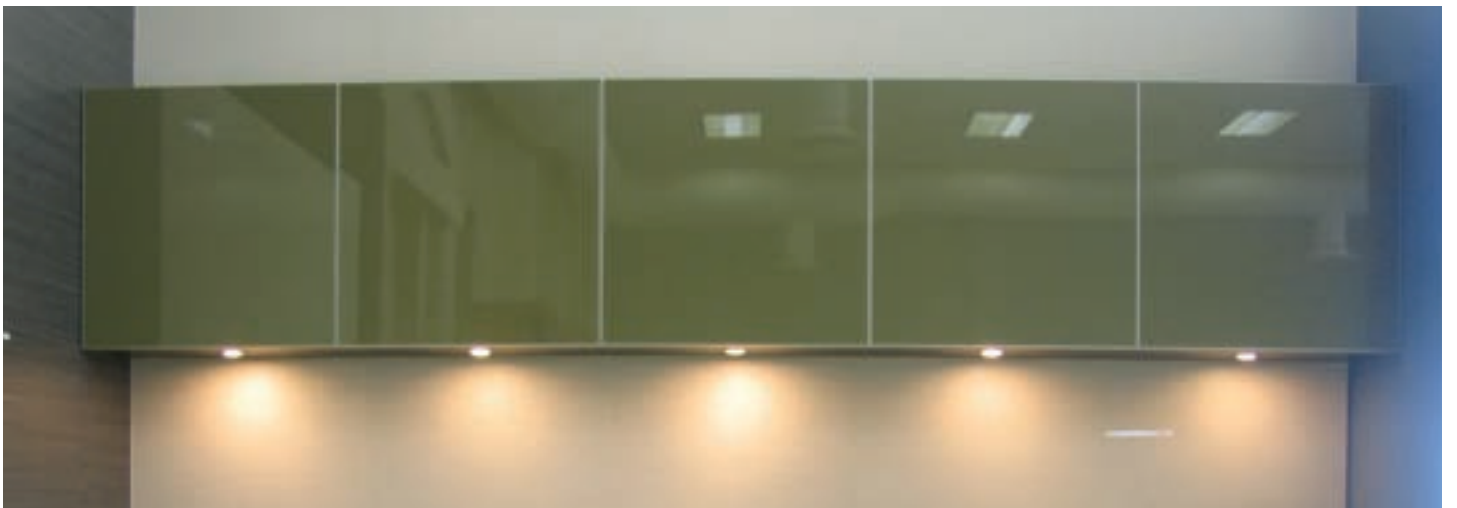
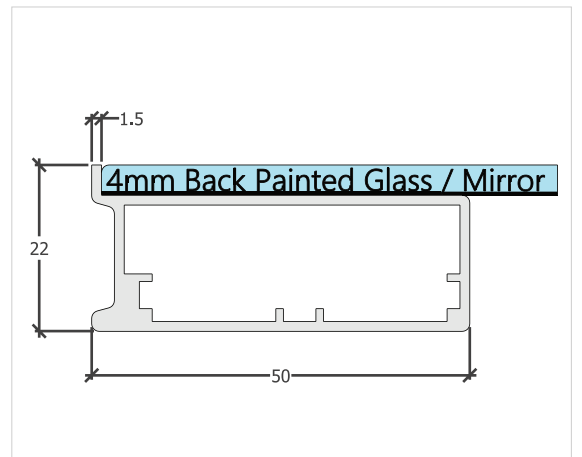
- Applications:** Cabinet doors
Lift up doors
Drawer fronts
- Glass Type:** 4mm coloured back painted glass (glued to the frame)
4mm mirror with backing film (glued to the frame)
For a Clear seamless look - 4mm clear, grey or bronze tinted glass with a 50mm black border is available
- Max Door Size:** 2400mm x 600mm (recommended)
- Hardware Options:** Standard hinges
All lift up mechanisms and gas stays

Special Notes The 1.5mm edge border helps protect the vulnerable glass edges.

Frame Finishes

Standard:  ALU  BLK

On Request:  WHT  GRY  GRP  GOLD  PB  MB1





VD8

50X22MM FINGER GRIP FRAME - 12MM

Modern sturdy frame with an integrated finger grip handle for easy door opening (12mm border).

Applications: Cabinet doors | Lift up doors | Drawer fronts
Glass Type: All 4mm glass - great option with sandblast film
Max Door Size: 2400mm x 600mm (recommended)
Hardware Options: Standard hinges
 All lift up mechanisms and gas stays

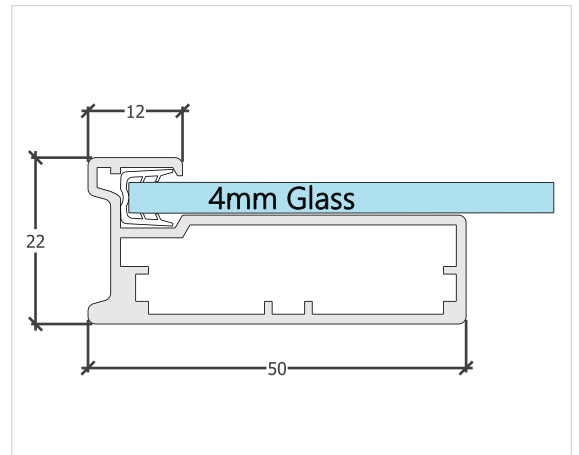
Special Notes Very versatile frame

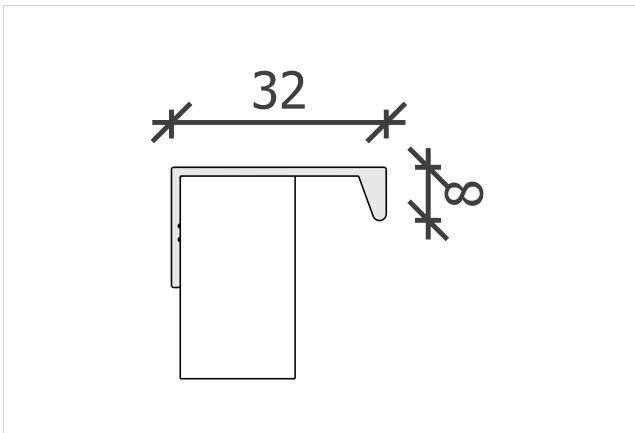
Frame Finishes

Standard:



On Request:





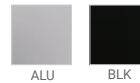
VD5

32MM CABINET DOOR STRIP HANDLE

Applications: Cabinet doors and drawer fronts
Fitting: Vertical mounting for cabinet doors (*if mounted top or bottom of hinged doors, check clearance on the door in the open position)
 Top or bottom mounting for flap doors or drawer fronts

Handle Finishes:

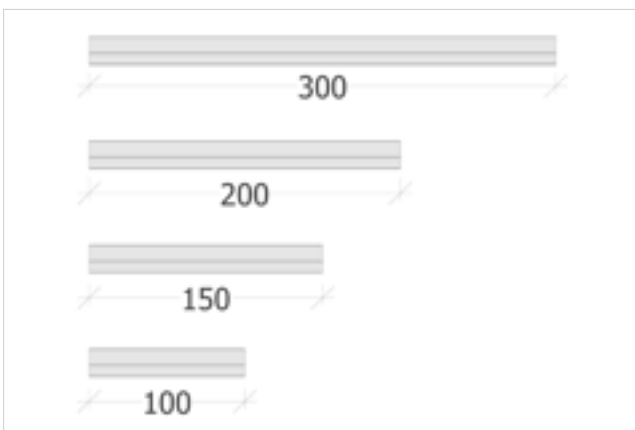
Standard:



On Request:

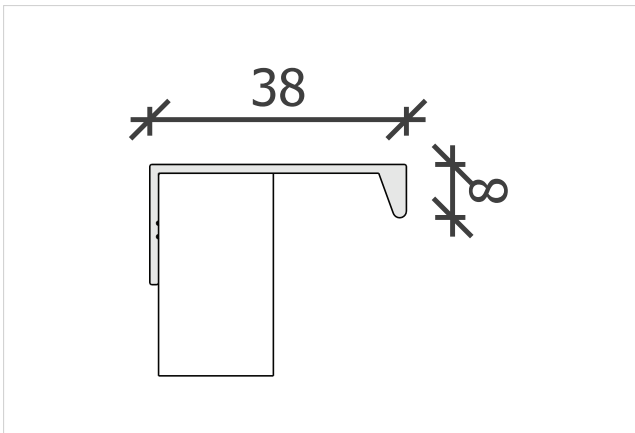


Availability: 3m lengths
 or CUSTOM - Cut, predrilled & finished to your specific sizes and spec



STANDARD SIZE HANDLES AVAILABLE PRE PACKS, READY TO FIT

CODE	DETAILS
VD5_100ALU	32mm x 100mm handle - Aluminium
VD5_100BLK	32mm x 100mm handle - Black
VD5_150ALU	32mm x 150mm handle - Aluminium
VD5_150BLK	32mm x 150mm handle - Black
VD5_200ALU	32mm x 200mm handle - Aluminium
VD5_200BLK	32mm x 200mm handle - Black
VD5_300ALU	32mm x 300mm handle - Aluminium
VD5_300BLK	32mm x 300mm handle - Black



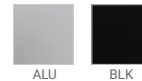
VD6

38MM CABINET DOOR STRIP HANDLE

Applications: Cabinet doors and drawer fronts
Fitting: Vertical mounting for cabinet doors (*if mounted top or bottom of hinged doors, check clearance on the door in the open position)
 Top or bottom mounting for flap doors or drawer fronts

Handle Finishes:

Standard:

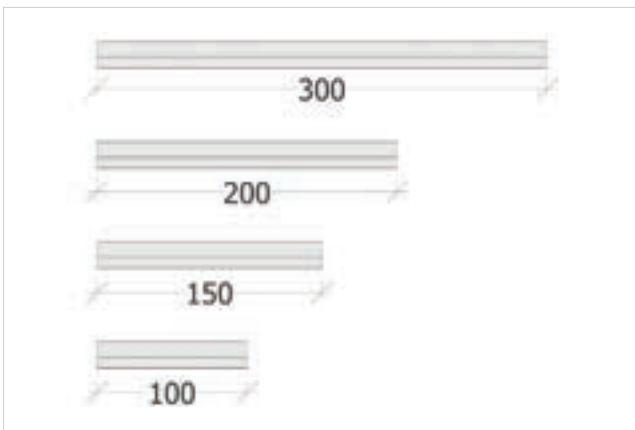


On Request:



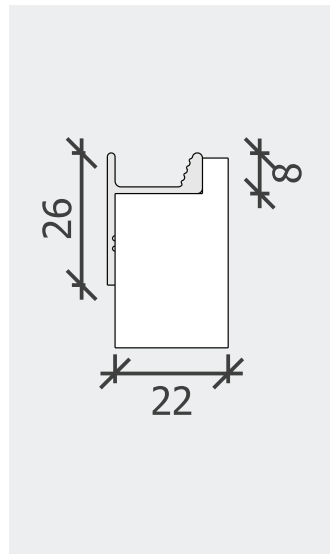
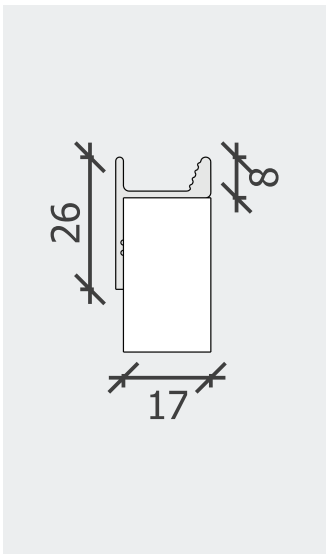
Availability:

3m lengths or
 CUSTOM - Cut, Predrilled & finished to your specific sizes and spec



STANDARD SIZE HANDLES AVAILABLE PRE PACKS, READY TO FIT

CODE	DETAILS
VD6_100ALU	38mm x 100mm handle - Aluminium
VD6_100BLK	38mm x 100mm handle - Black
VD6_150ALU	38mm x 150mm handle - Aluminium
VD6_150BLK	38mm x 150mm handle - Black
VD6_200ALU	38mm x 200mm handle - Aluminium
VD6_200BLK	38mm x 200mm handle - Black
VD6_300ALU	38mm x 300mm handle - Aluminium
VD6_300BLK	38mm x 300mm handle - Black



VD9

FINGER GRIP HANDLE PROFILE - SHORT

Applications:

Cabinet doors and drawer fronts

Fitting:

Top or bottom mounted to doors and drawer fronts

Can be used in conjunction with VD10

Finishes:

Standard:

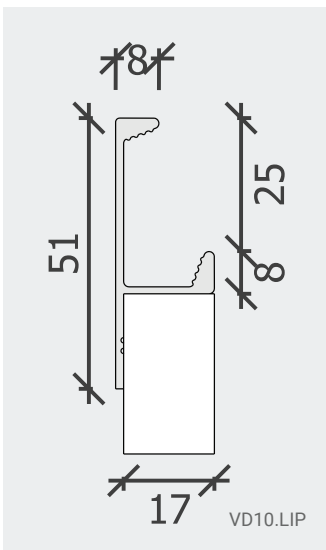
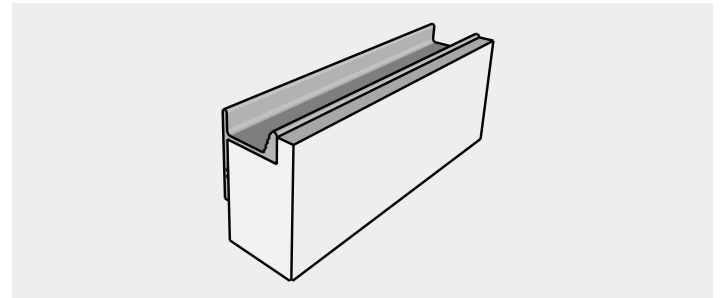


On Request:

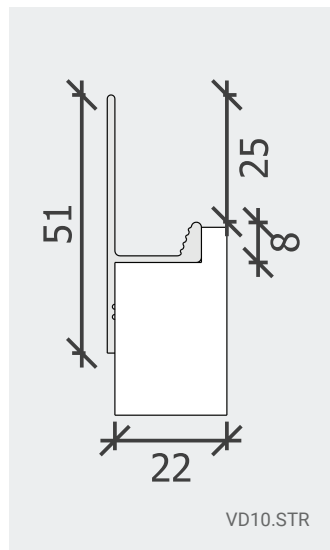


Availability:

3m lengths or
CUSTOM - Cut, Predrilled & finished to your specific sizes and spec



VD10.LIP



VD10.STR

VD10 LIP or STR

FINGER GRIP HANDLE PROFILE - LONG

Applications:

Cabinet doors and drawer fronts

Fitting:

Top or bottom mounted to doors and drawer fronts

Can be used in conjunction with VD9

Finishes:

Standard:



On Request:



Availability:

3m lengths
or CUSTOM - Cut, Predrilled & finished to your specific sizes and spec

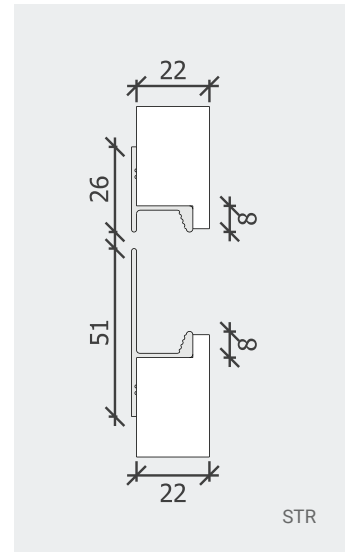
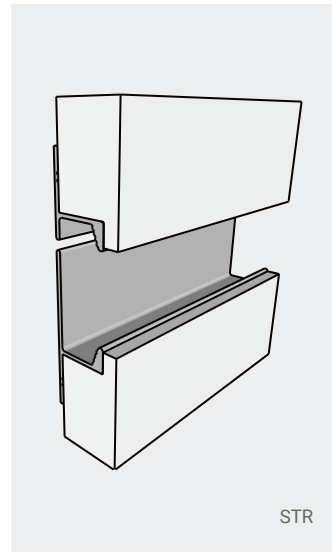
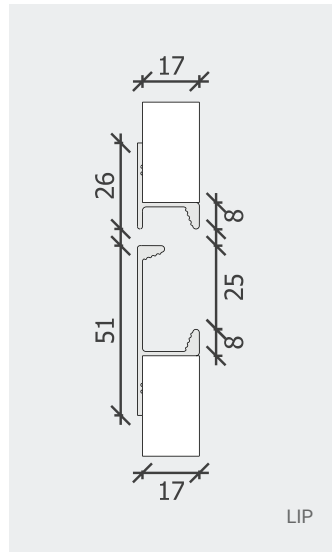
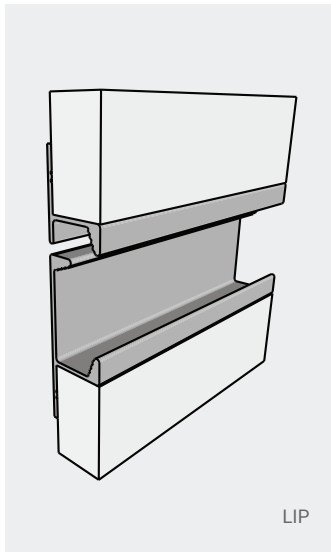


VD10.LIP



VD10.STR

VD9 AND 10 WORKING TOGETHER



CUSTOM SIZE HANDLES

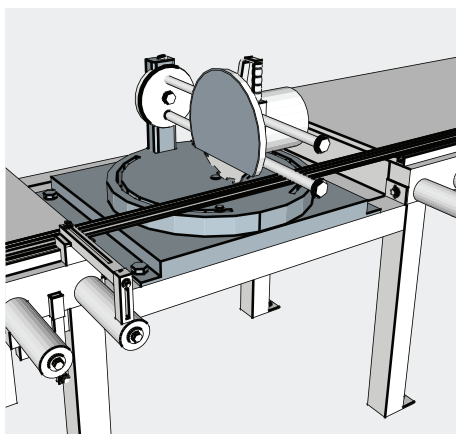
- Applications:** Cabinet doors and drawer fronts
Cut to any size/length
- Advantage:** Custom sized handles that have finished edges all round
- Finishes:** Only powder coat finishes are available



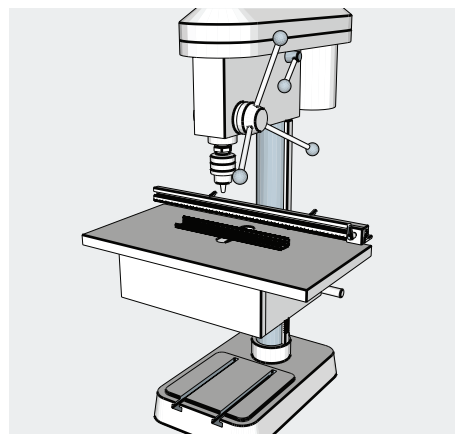
HOW TO ORDER CUSTOM SIZE HANDLES

Supply us the following: Quantity and sizes
Handle profile type: VD5, VD6, VD9 or VD10.LIP / VD10.STR

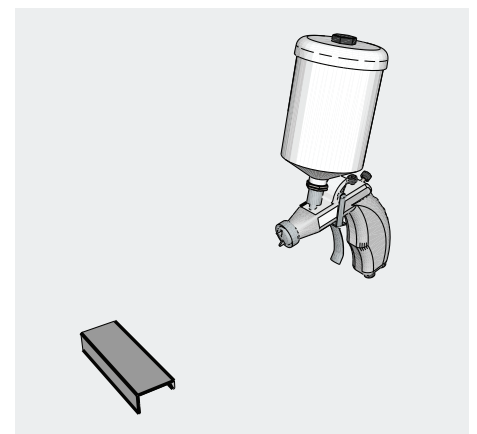
WE CUT



WE DRILL



WE FINISH





M01

CABINET SLIDING DOOR SYSTEM

Regular inside fit system. Insert track is recessed into the top and bottom carcass.

Application: Base or top cabinets in kitchens, free standing furniture

Door Types: Wood and aluminium frames

Door Thickness: 16 - 25mm

Spacing of Top and Bottom tracks is dependent on door thickness choice

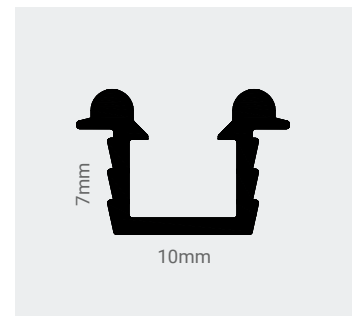
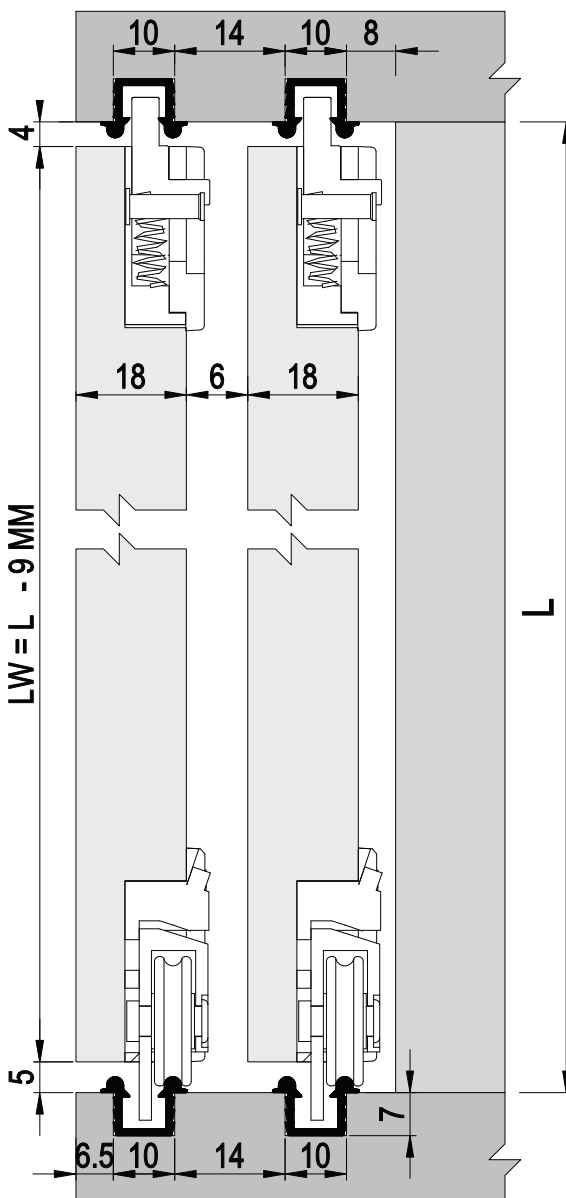
Door Weight: 40kg

Door Size: 1500mm x 900 mm (recommended)

Smooth sliding action with easy height adjustment.

Easy to drill and fit wheelsets.

Optional soft closer: **VS_M01_Softcloser** (for 2 doors)



VS_M01_KIT_ALU

2 door Wheel set + 2 x 3M tracks (Alu)

VS_M01_KIT_BLK

2 door Wheel set + 2 x 3M tracks (Black)



M02

TOP HUNG (OVER AND UNDER) WARDROBE SLIDING SYSTEM



Tracks are mounted on top of the wardrobe carcass with the bottom guide hidden below the carcass base.

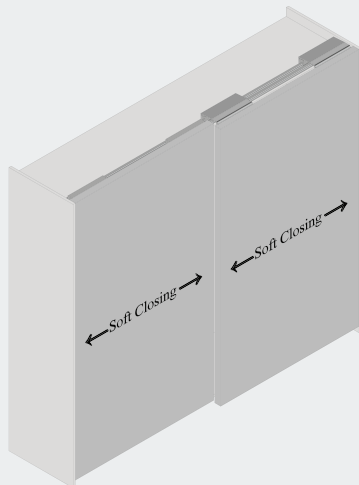
- Applications:** Wardrobe sliding doors / pantry cupboards
2, 3 or 4 door systems - available as kits or with complete built up doors to size
- Door Types:** Wood / Board
Alu frames with glass or mirror
- Door Thickness:** 16mm to 25mm
- Door Weight:** up to 80 kg's **Min Door Weight:** 25 kg's
- Door Size:** 2400mm x 1200mm (recommended)
- Door Height:** up to 2600mm **Door Width:** 600mm to 1200mm

Integrated Soft Close comes standard on all doors - opening and closing Smooth sliding action with easy adjustment

Notes: Build a strong sturdy carcass with no flex on the top, to accommodate the door weight and ensure allowances for bottom guide are built in.

VS_M02.2DR

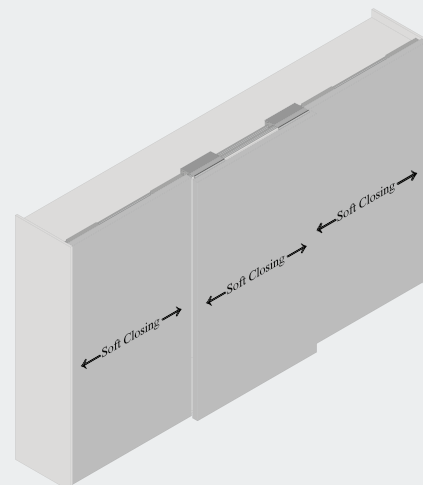
Complete system: Top and bottom track 3m, wheel sets and soft closers for 2 doors



VS_M02.2DR

VS_M02.3DR

Complete system: Top and bottom track 3m, wheel sets and soft closers for 3 doors



VS_M02.3DR



HOW TO WORK OUT YOUR DOOR HEIGHT

Door height = outside carcass height + 108mm

Door size guideline using the aspect ratio

height ÷ width = Aspect ratio

1800 ÷ 700 = 2.57

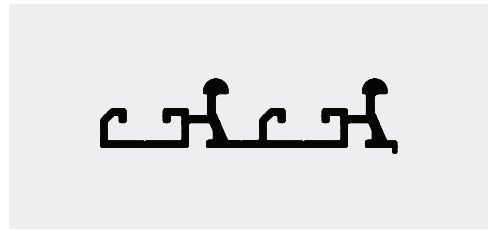
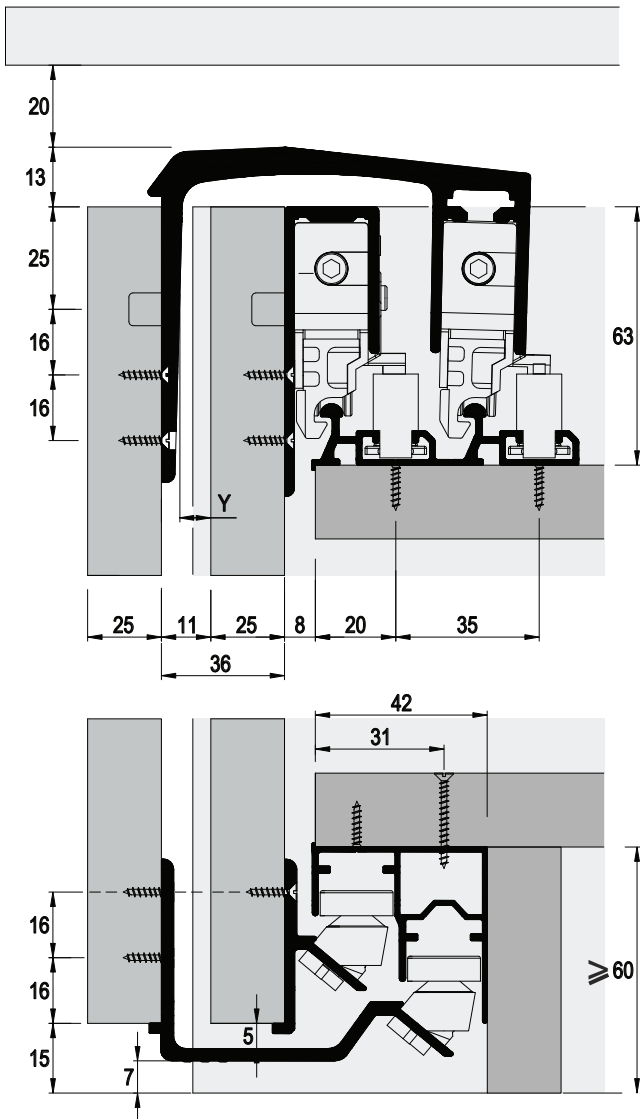
2100 ÷ 800 = 2.63

2300 ÷ 900 = 2.55

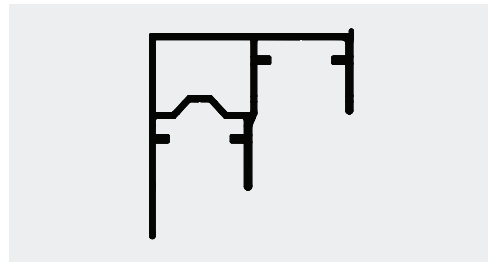
2400 ÷ 1000 = 2.4

2600 ÷ 1100 = 2.36

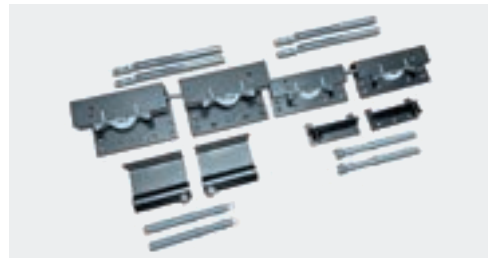
Aspect ratio's should be 2.85 or less, for the doors to function correctly, on the M02 system.



Top Track 3m
VS_M02_TTRACK3M



Bottom Track 3m
VS_M02_BTRACK3M



2 Door Wheel Set With Soft Closers
VS_M02_WS.2DR



3 Door Wheel Set With Soft Closers
VS_M02_WS.3DR
(VS_M02_WS.2DR + single door set)





M03

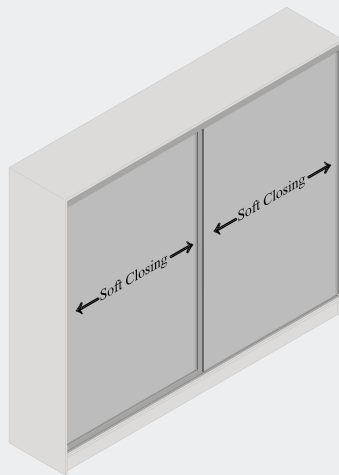
FLOOR TO CEILING MOUNTED WARDROBE SLIDING DOOR SYSTEM

Regular "inside fit" system. Fits top and bottom inside the opening - for wardrobe carcass or floor to ceiling.

- Applications:** Wardrobe sliding doors
2, 3, or 4 door systems - available as kits or with complete built up doors to size
- Door Types:** Glass, mirror and wood
- Door Thickness:** 16mm to 22mm
- Door Weight:** Up to 60 kg's **Min Door Weight:** 22 kg's
- Door Size:** 2440mm x 1200mm (recommended)
- Door Height:** Up to 2500mm **Door Width:** 600mm to 1200mm
- Integrated Soft Close comes standard on all doors - opening and closing
Easy soft close adjustment
Smooth sliding action with easy height adjustment
The principles of level, plumb and square apply for all types of sliding doors.
We recommend that you do not rely on walls, floors and ceilings to be perfect. It is best to build a carcass for your sliding doors wherever possible.

VS_M03.2DR

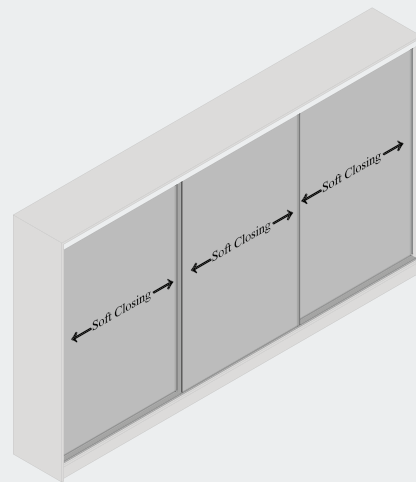
Complete system: Top and bottom track 3m, wheel sets and soft closers for 2 doors



VS_M03.2DR

VS_M03.3DR

Complete system: Top and bottom track 3m, wheel sets and soft closers for 3 doors



VS_M03.3DR



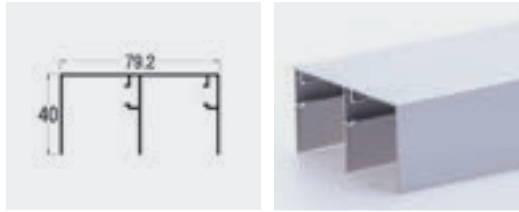
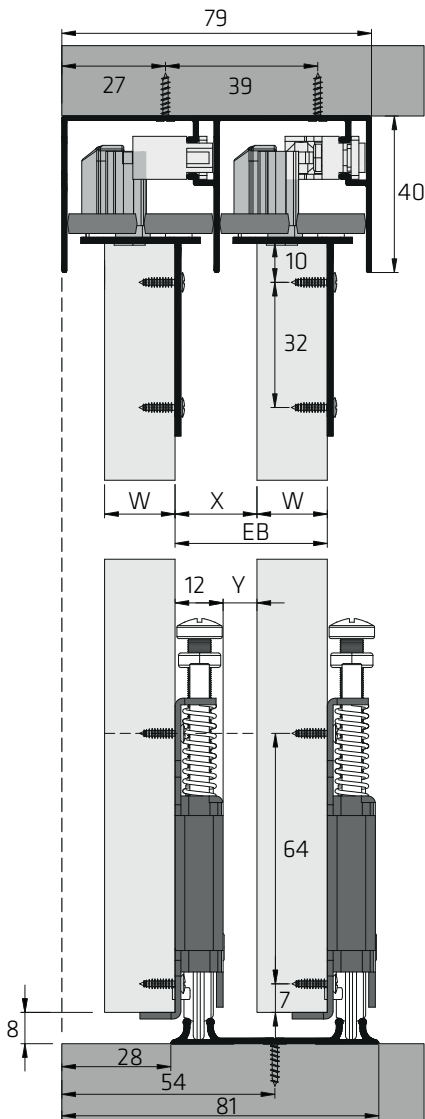
HOW TO WORK OUT YOUR DOOR HEIGHT

Door height = inside height - 40mm
Door size guideline using the aspect ratio

height ÷ width = Aspect ratio

1800 ÷ 700	=	2.57
2100 ÷ 800	=	2.63
2300 ÷ 900	=	2.55
2400 ÷ 1000	=	2.4
2600 ÷ 1100	=	2.36

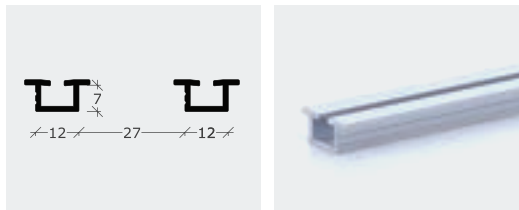
Aspect ratio's should be 3.35 or less, for the doors to function correctly, on the M03 system.



Top Track 3m
VS_M03_TTRACK3M



Bottom Track 3m
VS_M03_BTRACK3M



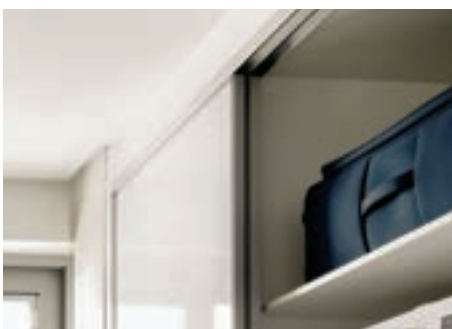
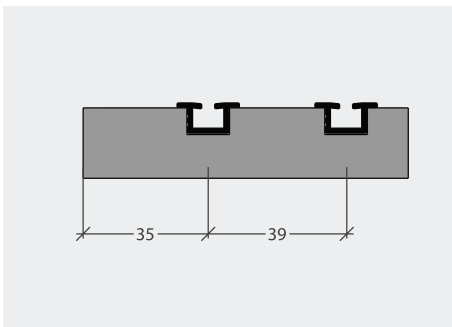
Insert Track 3m
VS_INS.TRACK3M - insert track for M03 & M04



2 Door Wheel Set With Soft Closers
VS_M03_WS.2DR



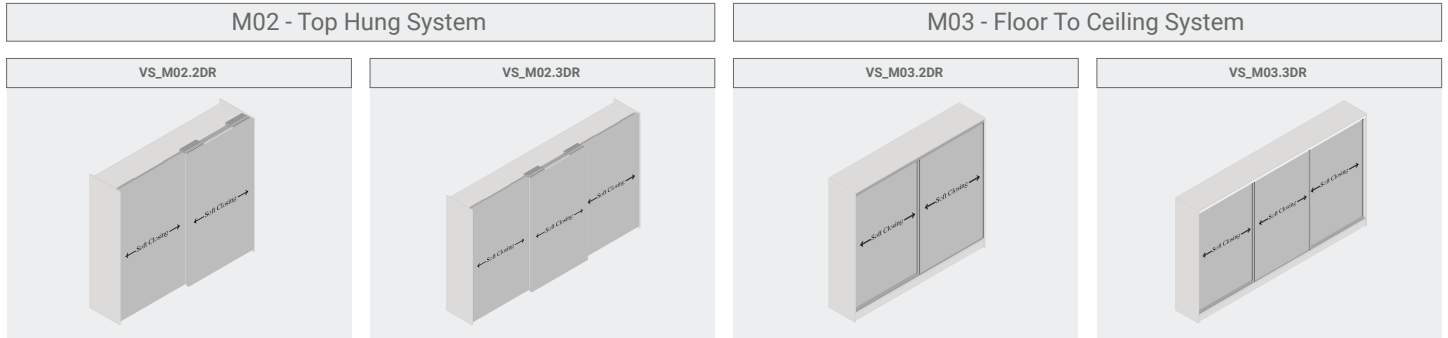
3 Door Wheel Set With Soft Closers
VS_M03_WS.3DR



HOW TO ORDER:

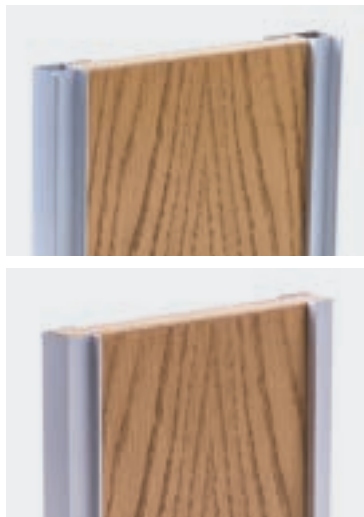
M02 OR M03 SLIDING DOOR SYSTEM

Step 1: Choose your system type

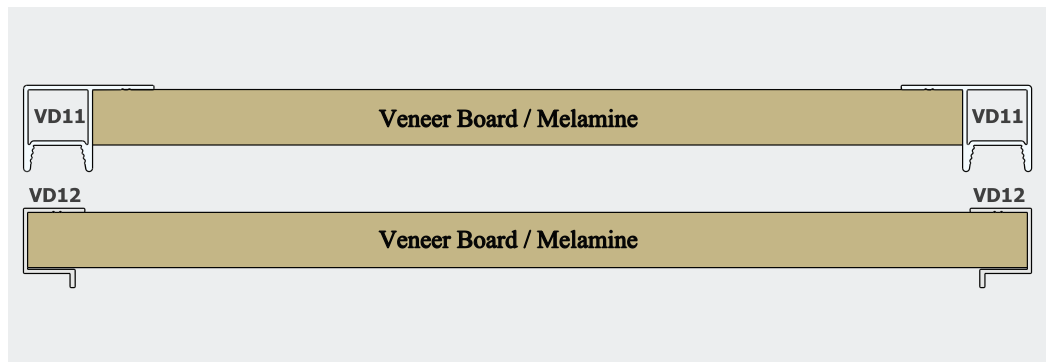


Step 2: Choose your Door Type

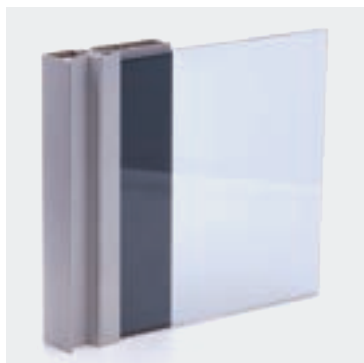
TYPE A: WOOD



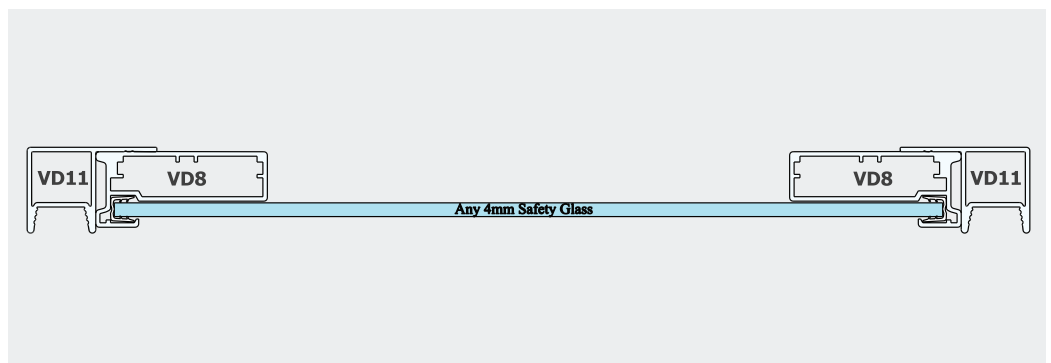
Any board type fitted with VD11 or VD12 strip handles.
Recommended add on = VD11 or VD12 Sliding door strip handle, see page 17 for 2dr and 3dr kits.



TYPE B: FRAMED



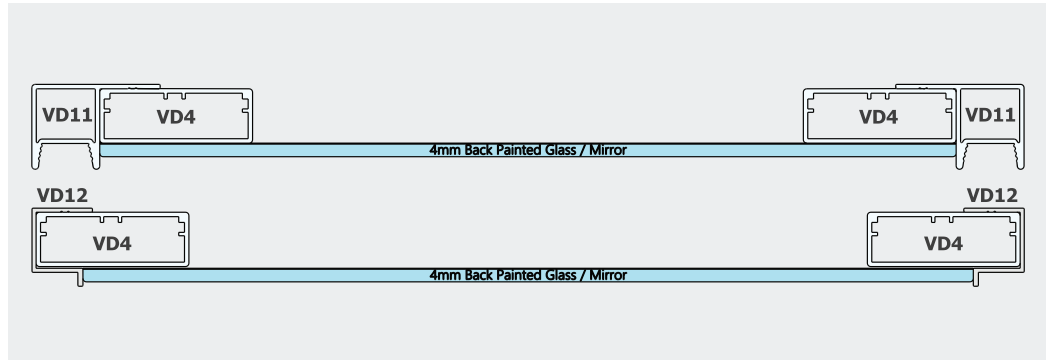
VD8 Aluminium frame fitted with VD11 strip handles.
All 4mm safety glass: clear, sandblast film, coloured back painted and tinted glass, including mirror with backing film.



TYPE C: FRAMELESS

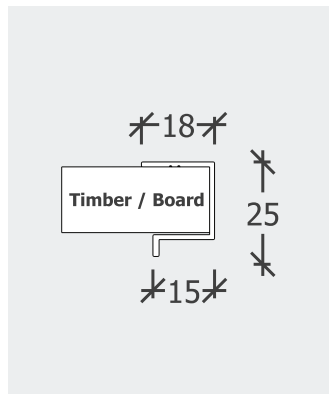
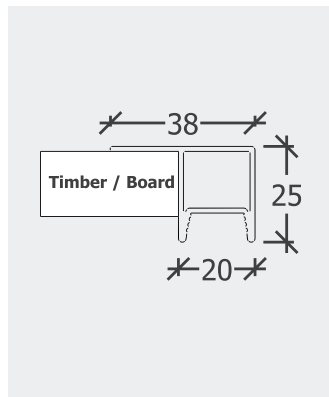


VD4 Aluminium frame fitted with VD11 & VD12 strip handles.
 4mm coloured back painted glass (glued to the frame)
 4mm mirror with backing film (glued to the frame)
NOT POSSIBLE: Clear, sandblast & sandblast film glass
 (glue/adhesive will be visible)



Step 3: If you chose type B or C
 Choose your glass type

Step 4: Email us your cabinet details for specific sizes orders@voguedoors.co.za

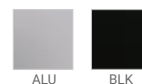


VD11 & VD12

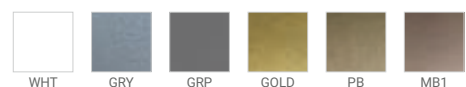
WARDROBE SLIDING DOOR STRIP HANDLE

Applications: Wardrobe sliding doors
 Slim profile with finger grip for EASY opening of sliding doors
 VD11 - Far stronger and more stable profile
 VD12 - Slimmer profile with less grip

Finishes:
 Standard:



On Request:



Availability: 2.5m & 3m lengths
Handle Kits: 2 or 3 doors kits available
 Pre-drilled, ready to fix to your doors

M04

FLOOR TO CEILING MOUNTED WARDROBE SLIDING DOOR SYSTEM



Regular "inside fit" system. Fits top and bottom inside the opening - for wardrobe carcass or floor to ceiling. Concealed wheel system.

Applications: Wardrobe sliding doors
Room divider, where doors are visible from both sides
2,3 or 4 door systems - available as complete built up doors to size or supplied as built up frames only

Door Types: Frameless and Symmetrical

Door Thickness: 35mm frame

Door Weight: Up to 60 kg's

Door Size: 2500mm x 1200mm (recommended)

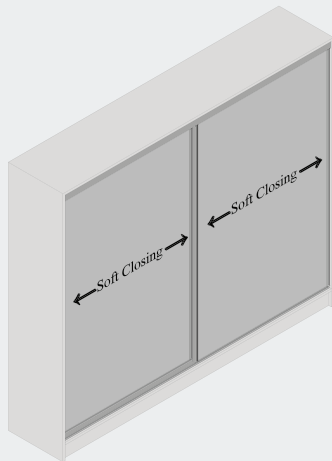
Door Height: Up to 2700mm **Door Width:** 600mm to 1200mm

Integrated soft close comes standard on all doors - opening and closing
Concealed bottom wheel system, so doors visible from both sides are possible
Smooth sliding action with easy height adjustment

The principle of level, plumb and square apply for all types of sliding doors. We recommend that you do not rely on walls, floors and ceilings to be perfect. It is best to build a square carcass for your sliding doors wherever possible.

VS_M04.2DR

Manufactured to size and supplied as a complete door system, ready to install

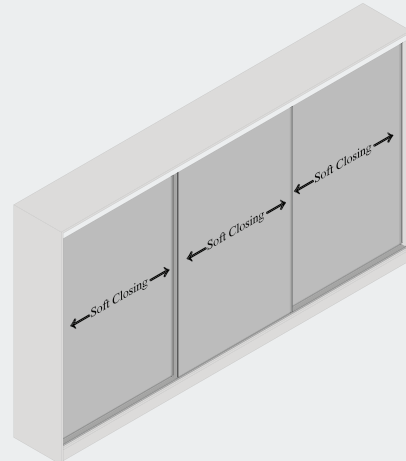


VS_M04.2DR

Top and bottom track, doors with wheel sets and soft closers for 2 doors

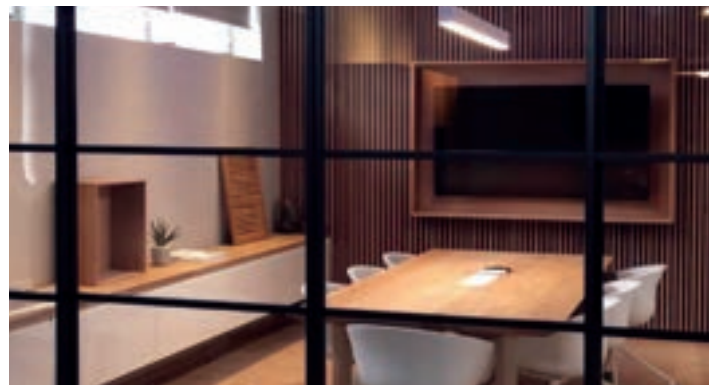
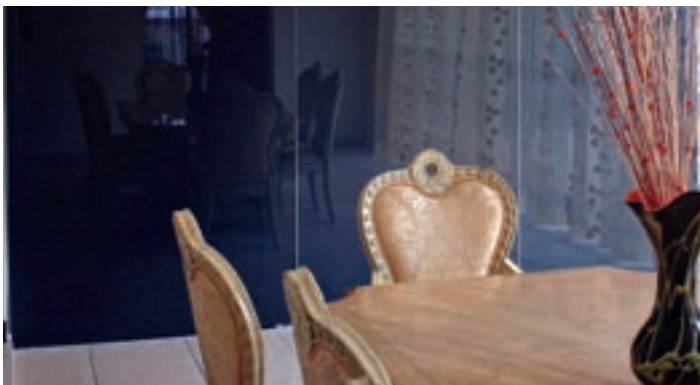
VS_M04.3DR

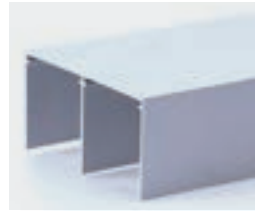
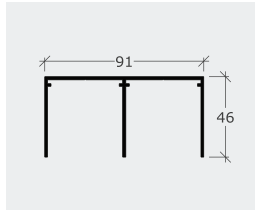
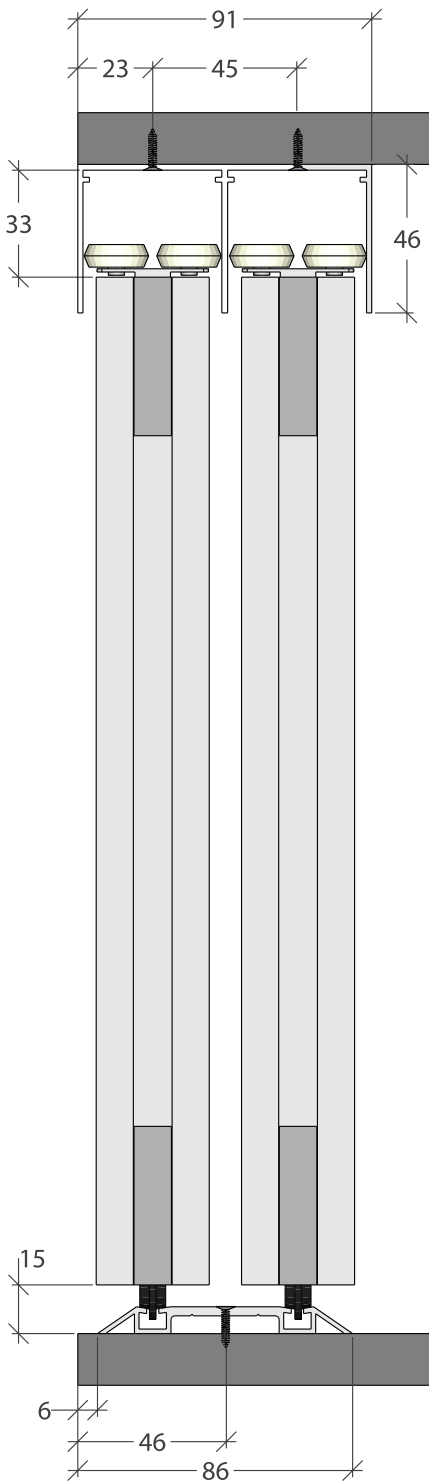
Manufactured to size and supplied as a complete door system, ready to install



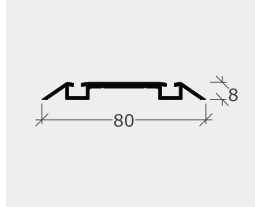
VS_M04.3DR

Top and bottom track, doors and wheel sets and soft closers for 3 doors

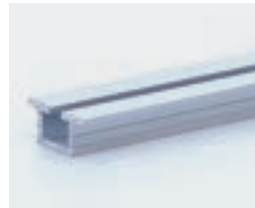
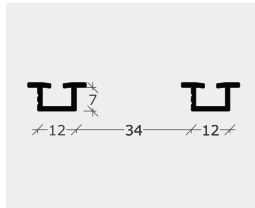




Top Track 3m
VS_M04_TTRACK3M



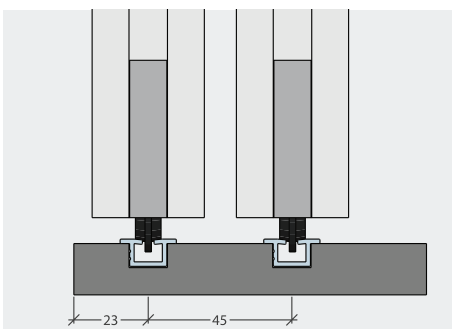
Bottom Track 3m
VS_M04_BTRACK3M



Insert Track 3m
VS_INS.TRACK3M - Insert track for M03 & M04



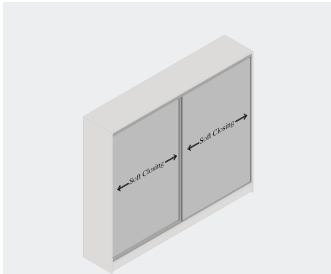
Top wheel set with soft closer
VS_M04_TWS
for a single door_2 way soft close mechanism



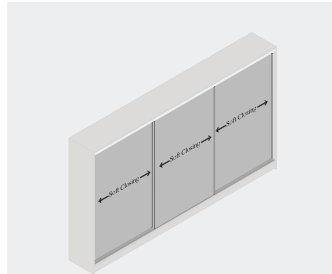
HOW TO ORDER:

M04 SLIDING DOOR SYSTEM

Step 1: Choose between 2 or 3 door system



VS_M04.2DR | 2 Door System



VS_M04.3DR | 3 Door System

Step 2: Choose your Door Type

TYPE A: FRAMELESS

Narrow edge profile of 3mm

Decorative inlays are adhered to the frame

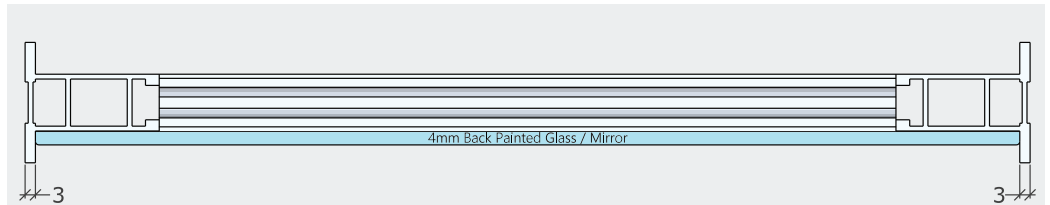
Available inlay options

Glass: Back painted or digitally printed glass

Mirror: Silver, grey or bronze mirror

Wood: 6mm duco or veneer (only frames will be supplied)

Full sheet, no dividers



Note: This frameless door has very little pull grip, so with the soft closers in position it may be difficult to move the door to slide. We have an additional pull strip handle that can be applied afterwards, should this be a concern.

TYPE B: SYMMETRICAL

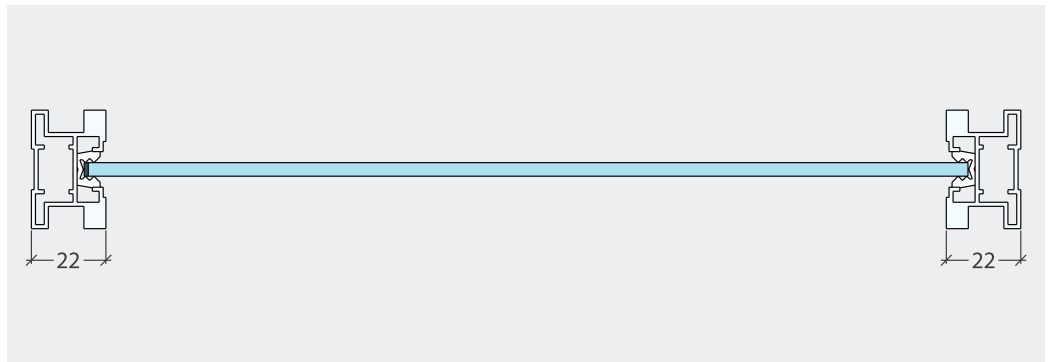
Vertical profile and handle grip: 22mm width

Available inlay options

4mm glass or mirror

Wood: duco or veneer (own supply)

Dividers and various inlay panels (works with 4, 6 and 8mm)



Step 3: Choose your glass or inlay type

Step 4: Email us your Cabinet opening or the floor to ceiling and wall to wall measurements, as well as the inlay requirements for all price enquiries. orders@voguedoors.co.za



M05

TOP HANGING FOLDING SLIDING DOOR SYSTEM

Designed for top hanging folding wardrobe sliding doors where limited space for cabinet access is required.

Application: Wardrobes, scullery and cabinet doors
2 or 4 door applications

Door Types: Aluminium frame and Wood doors

Door Thickness: 16 - 22mm

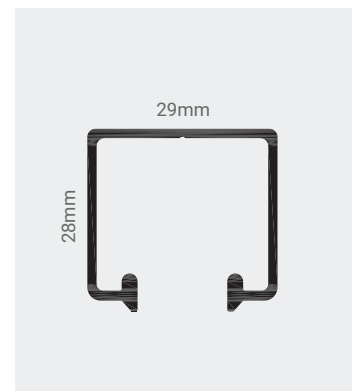
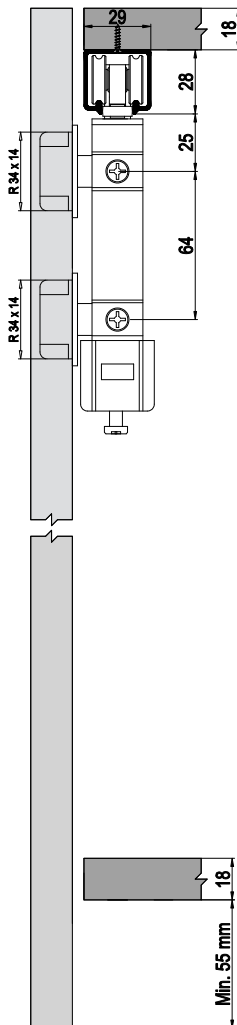
Door Weight: 40kg for 2 doors

Door Size: 2400mm x 600 mm (recommended)

Quick and easy installation.

Top rail is fitted to the top carcass. Doors then fold and slide with the double hinge system on the 2nd door.

(Excludes hinges on carcass side)



VS_M05_2drKit_Alou

M05 40kg WingSlide wheel set for 2 doors and 1,5m top track (Alu)

VS_M05_2drKit_Blak

M05 40kg WingSlide wheel set for 2 doors and 1,5m top track (Black)





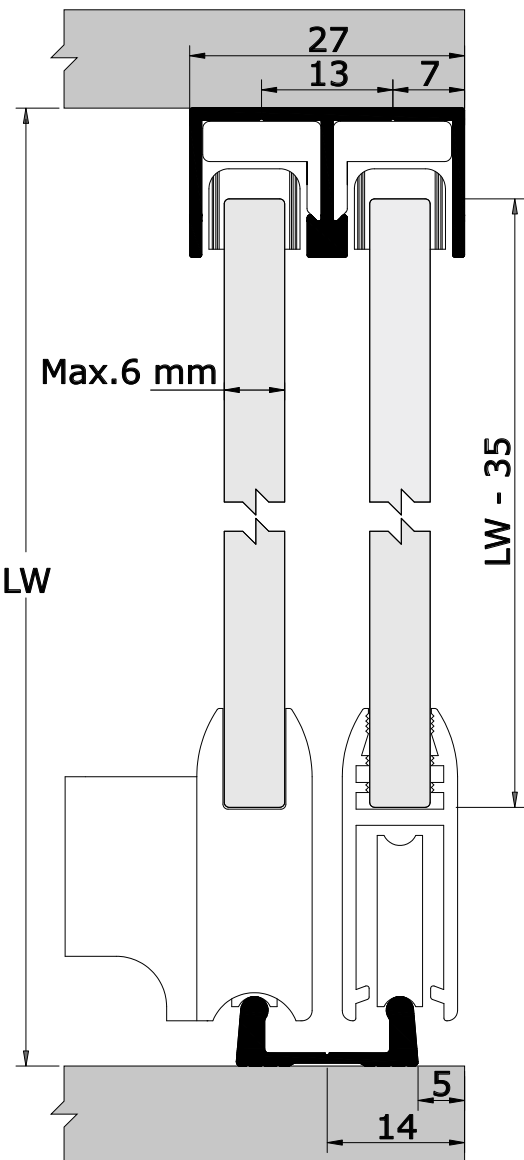
M08

GLASS CABINET DOOR SLIDING SYSTEM

Designed for showcase and display cabinet applications

Application: Showcase and display units
Door Types: Glass
Door Thickness: 6mm (no gasket required)
Door Weight: up to 25kg / max 1m² glass per door

No need to drill holes in the glass. Glass is silconed into the aluminium channel. Easy and quick installation.



VS_M08_GL_Kit_Alu
 M08 Glassline kit
 2m Top/Bottom/Door rail
 & wheel set for 2 doors (Alu)

VS_M08_GL_Kit_BlK
 M08 Glassline kit
 2m Top/Bottom/Door rail
 & wheel set for 2 doors (Black)





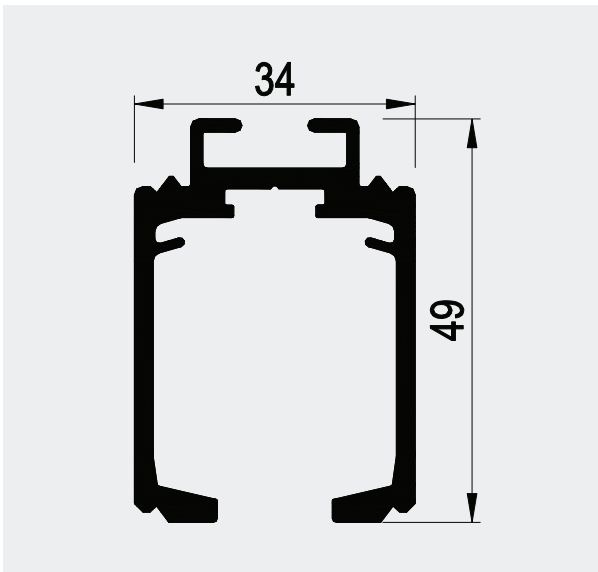
M18

TELESCOPIC SLIDING DOOR SYSTEM

Telescopic Sliding door system for wardrobes and room dividers

- Application:** Wardrobes and room dividers
2/3/4 or 5 door applications
- Door Types:** Wooden doors
- Door Thickness:** 30 - 50mm
- Door Weight:** Up to 80kg per door
- Door Height:** Max 2700mm
- Door Width:** Min 620mm

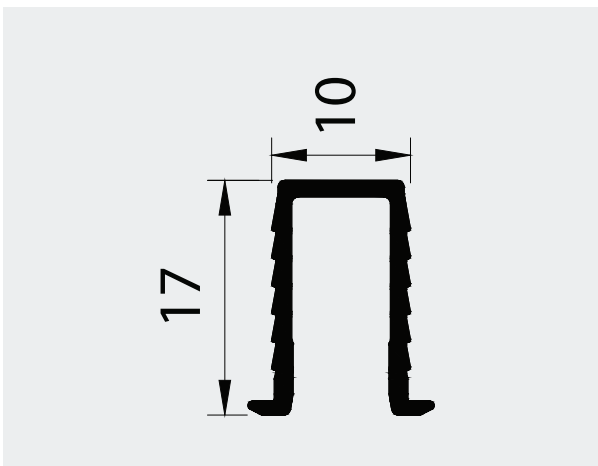
Quick and easy installation.
Soft close integrated into the upper mechanism.
Vertical up and down adjustment is possible.

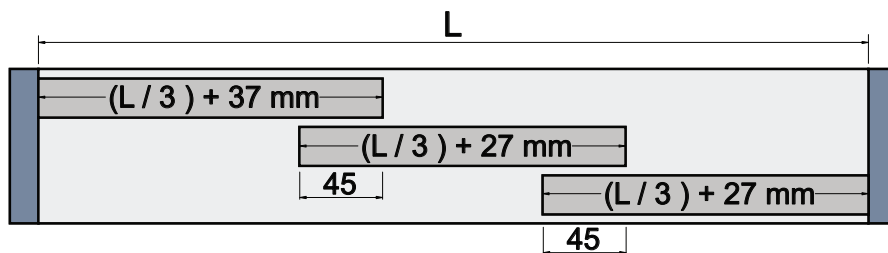
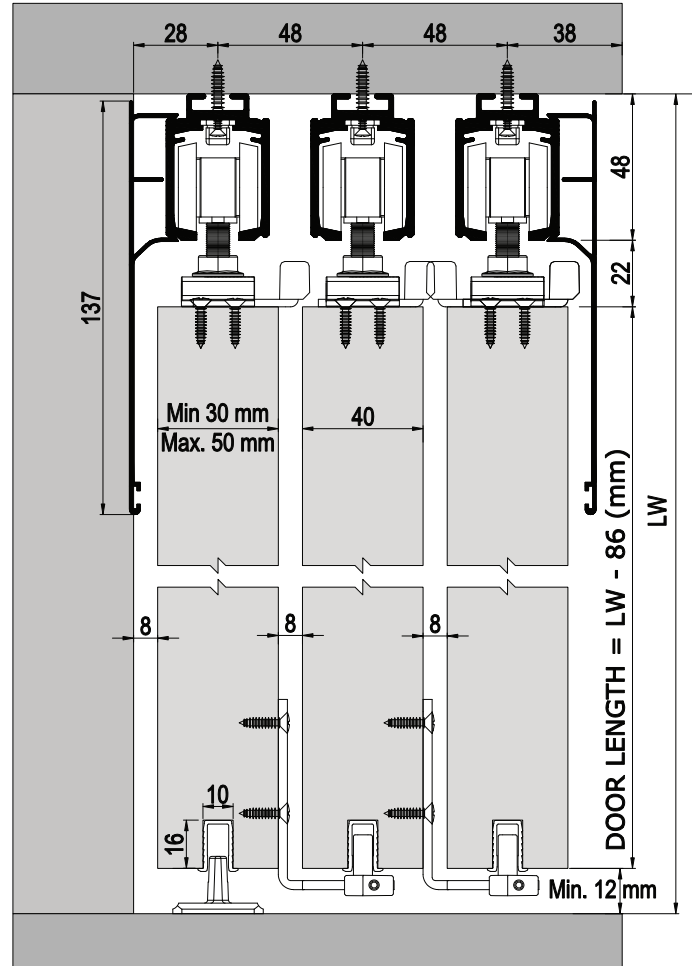
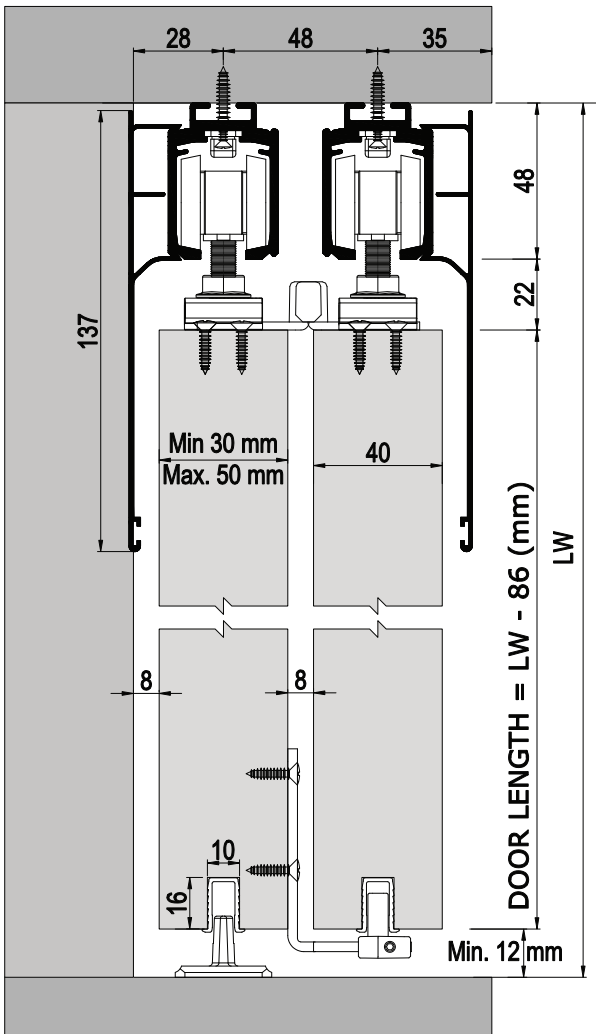


VS_M18.202_Kit
M18 Multidoor 2 door kit -
3m Top rail/Bottom guide
and 2 door wheel set



VS_M18.201_Kit
(for additional door only)*
M18 Multidoor 1 door kit -
3m Top rail/Bottom guide
and wheel set for additional door



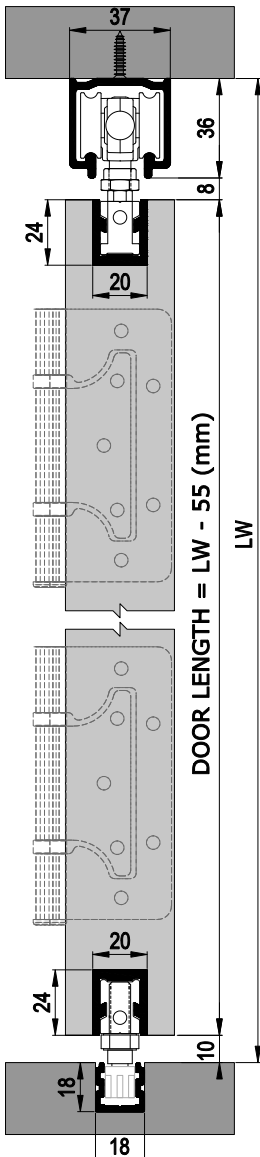
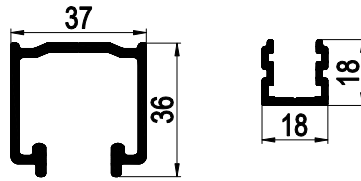


M19

MASTERFOLD FOLDABLE PARTITION SLIDING STACKING DOOR SYSTEM

- Application:** Room dividers - up to 8 doors
- Door Types:** Wooden doors
- Door Thickness:** 36mm - 60mm
- Door Weight:** Up to 60kg per door
- Door Height:** Max 2700mm
- Door Width:** Min 380mm - Max 900mm

Requires door layout and design in order to quote.



VS_M19.9060_WS

M19 Masterfold wheel kit 9060 (end door either side)



VS_M19.9061_WS

M19 Masterfold wheel kit 9061 (mid door)



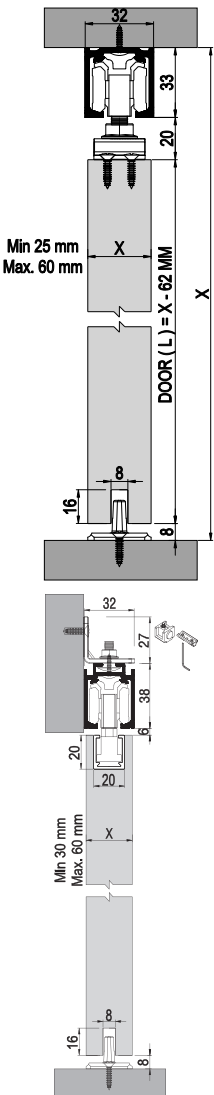


M20

TOP HUNG SLIDING DOOR SYSTEM

- Application:** Single or 2 door bathroom or internal door applications
- Door Thickness:** 25mm - 60mm
- Door Weight:** (M20.60) 60kg per door | (M20.120) 120kg per door
- Door Height:** Max 2600mm
- Door Width:** (M20.60) Min 610mm | (M20.120) Min 830mm

Integrated two way soft closing system.
All fixing brackets and guides included in kit.



VS_M20.60_Kit_Al
60kg Doorslide system,
2way soft close and 2m
top track (Alu)

VS_M20.60_Kit_Bl
60kg Doorslide system,
2way soft close and 2m
top track (Black)



VS_M20.120_Kit_Al
120kg Doorslide system,
2way soft close and 2m
top track (Alu)

VS_M20.120_Kit_Bl
120kg Doorslide system,
2way soft close and 2m
top track (Black)









vCUBE
SHELVING SYSTEM

Applications: Intergrated into the kitchen, freestanding furniture and visual room designs.

Benefits:
 Endless possibilities
 Modular and flexible use
 Simple assembly
 Easy delivery
 Wide selection of corner joints

Frame and Corner finishes:

Standard:  **BLK** On Request:  **WHT**  **GRY**  **GRP**

Supplied:
 Components and profiles only
 Standard kits
 Custom sizes and layouts - supplied cut to size and drilled, ready to assemble



Corner Joint Connector for 2 sides
 VC002_blk
 (screws included)



Corner Joint Connector for 3 sides
 VC003_blk
 (screws included)



Corner Joint Connector for 4 sides
 VC004_blk
 (screws included)



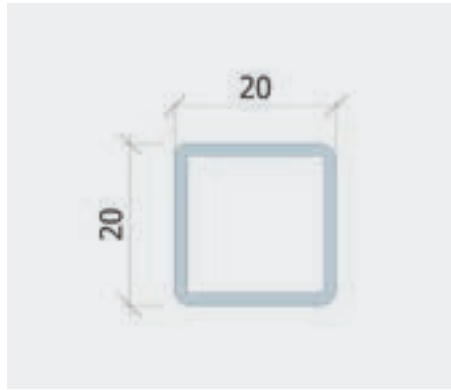
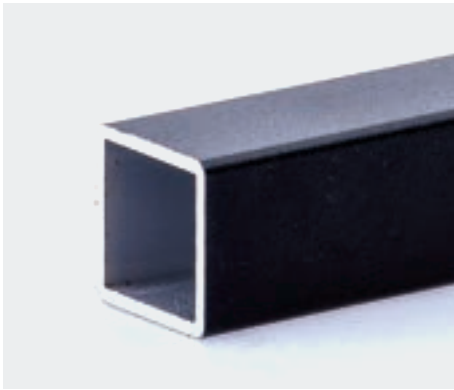
Corner Joint Connector for 5 sides
 VC005_blk
 (screws included)



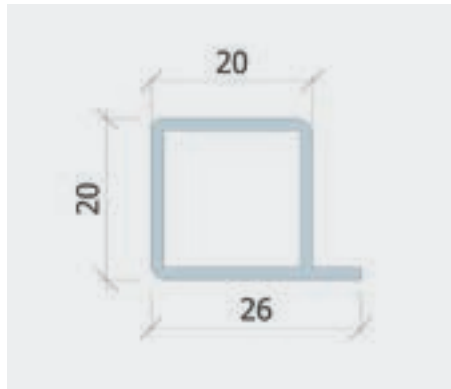
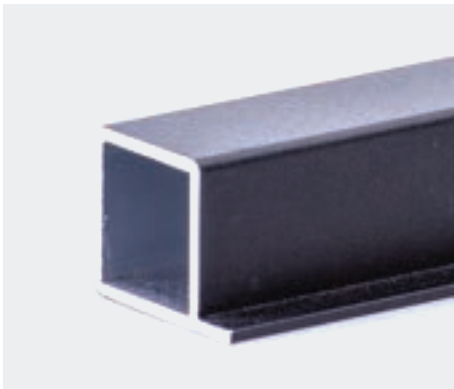
Corner Joint Connector for 3 sides with adjustable foot
 VC003.1_blk
 (screws + foot included)



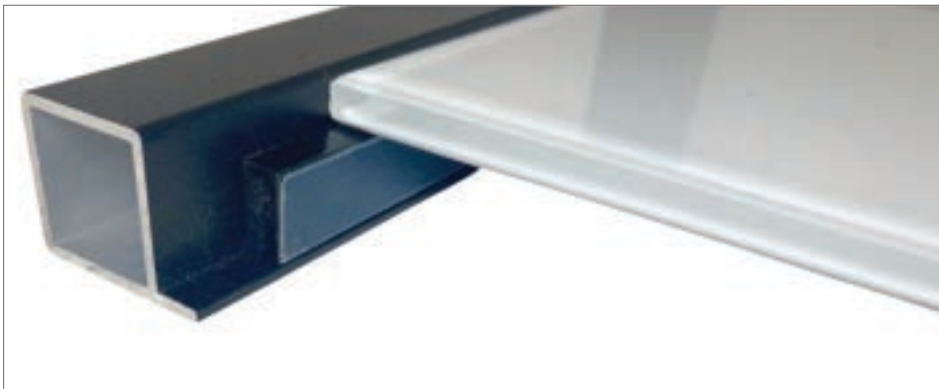
Corner Joint Connector for 4 sides with adjustable foot
 VC004.1_blk
 (screws + foot included)



20 x 20 Frame profile
vCUBE_20x20_blk



20 x 20 Frame profile with lip
vCUBE_20x20.lip_blk



Strip for glass insert - 1200mm
VC_Glass4_blk for 4mm glass
VC_Glass6_blk for 6mm glass
(Strip fixed with double sided tape included)





vWALL

WALK IN WARDROBE AND SHELVING SYSTEM

Applications: Walk in wardrobes, wall panelling, living area wall units

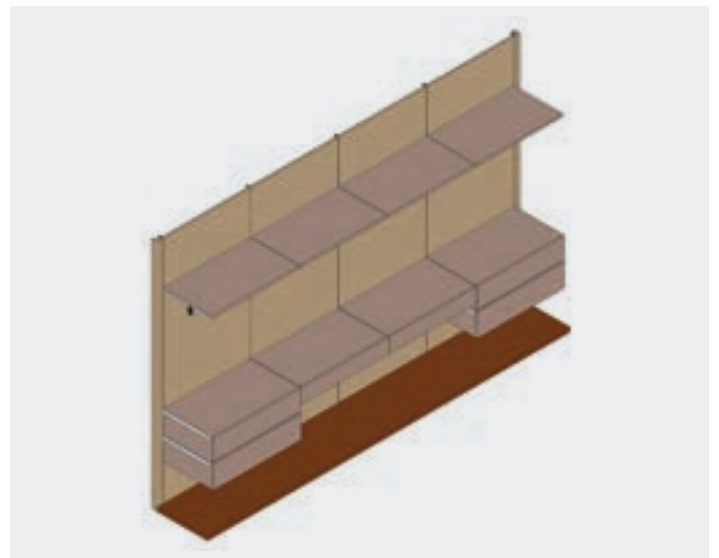
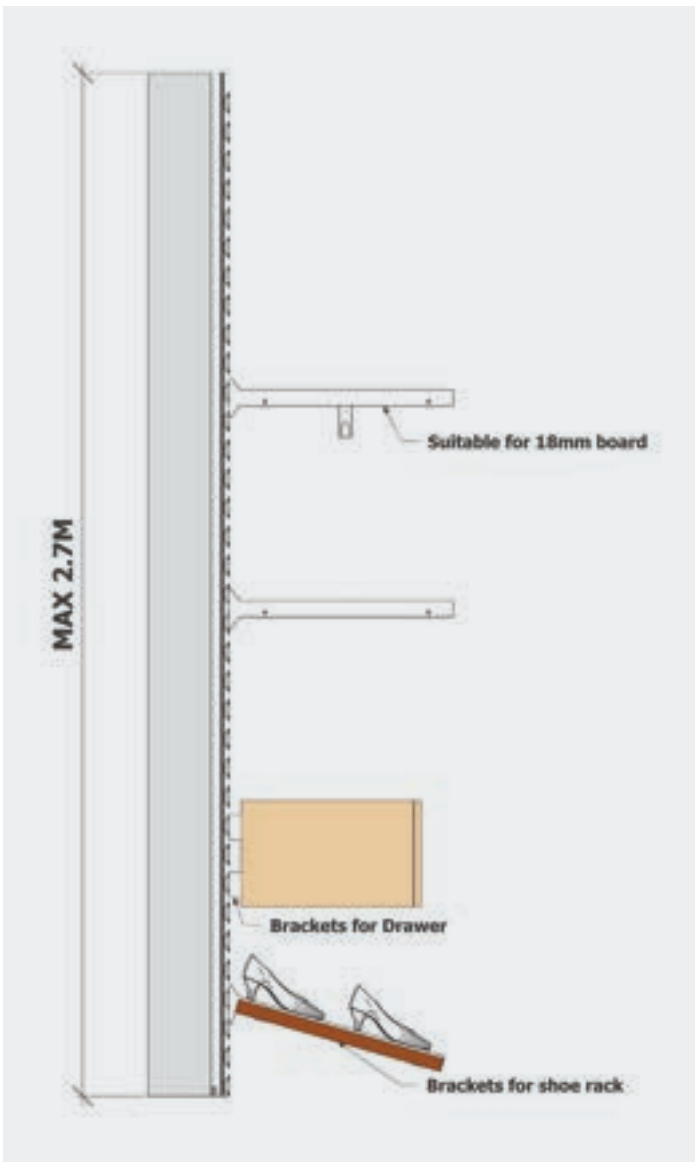
Benefits: Simple, functional design, easy installation, cost effective components

Frame and Shelving brackets:

Standard:



BLK



INSTALLATION



1. Fix Vertical uprights



2. Clip on panels and fit shelving or cabinets

Vertical Wall Panel Profile Kit: 1 x VW_UPRIGHT_BLK - Vertical upright | 6 x VW001 - Upright fixing brackets
12 x VW002 - Panel connector clips | 1 x VW007 - Upright support plate | 1 x VW009 - Adjustable foot



Upright Support Plate



Upright Fixing Bracket



Adjustable Foot



Panel Connector Clips



VW_SHELF.30_blk
Shelf bracket - 300mm
VW_SHELF.50_blk
Shelf bracket - 500mm



VW_SHELF.30ang_blk
Angled Shelf bracket - 300mm
VW_SHELF.50ang_blk
Angled Shelf bracket - 500mm



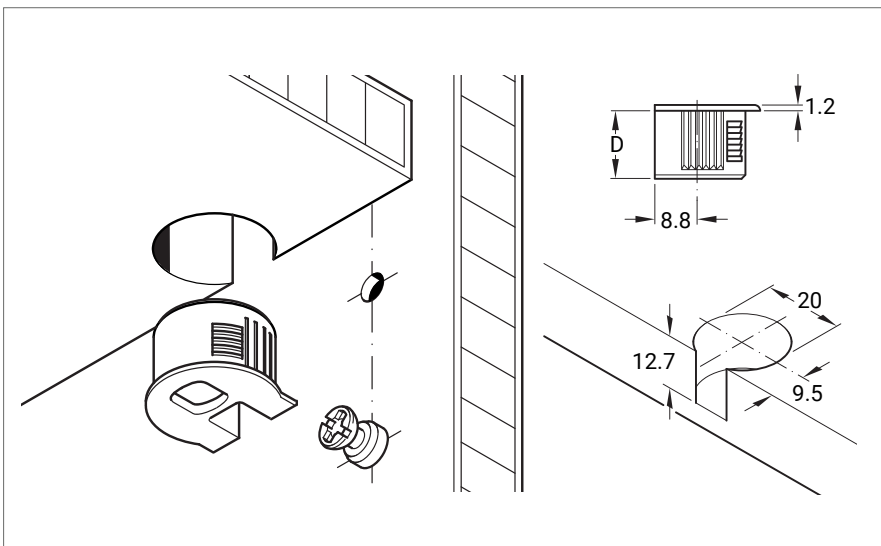
VW005.1
Outer shelf bracket
fixings - 2 pack



VW005.2
Middle shelf bracket
fixings - 4 pack



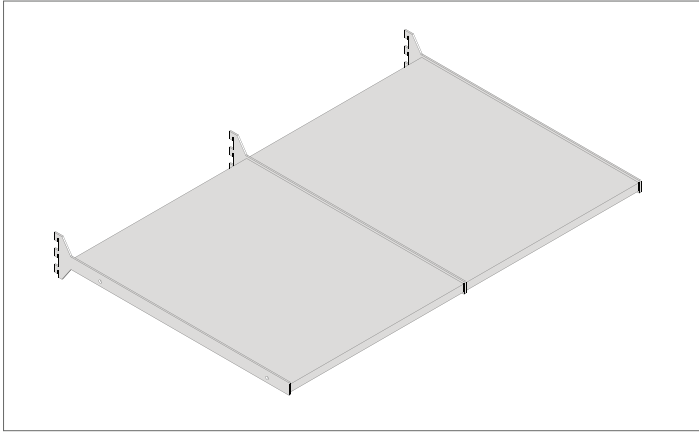
VW008
Cabinet hangers - pair - black



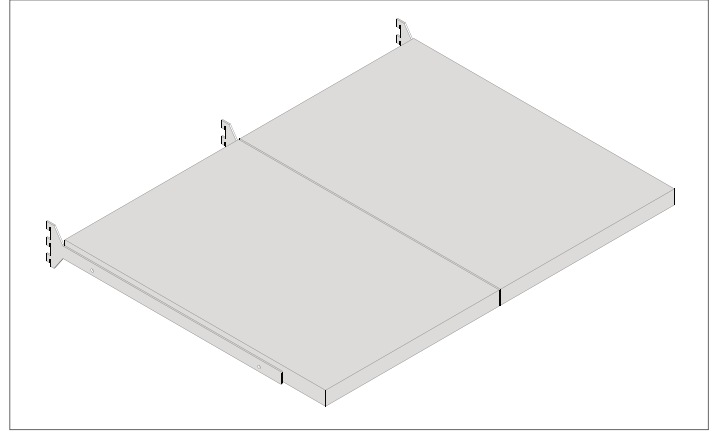
VW009 BLK
Hanging bar brackets incl bar holder (pair)

VWALL SHELF LAYOUT OPTIONS

STANDARD SHELVING

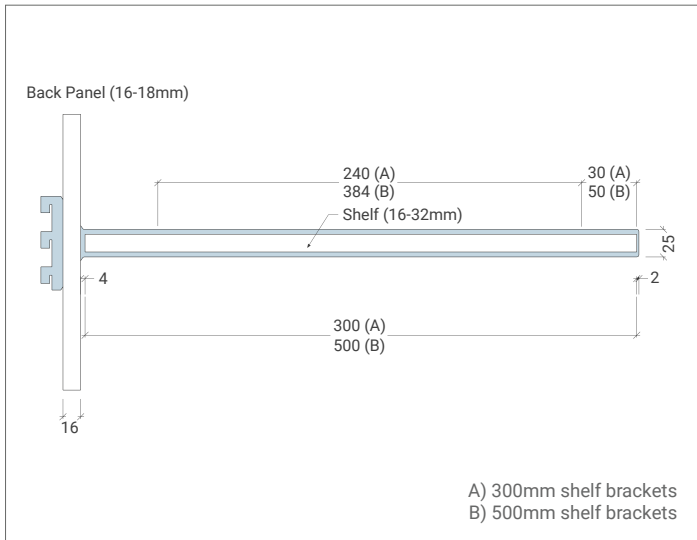


EXTENDED SHELVING AND/OR THICKER BOARD

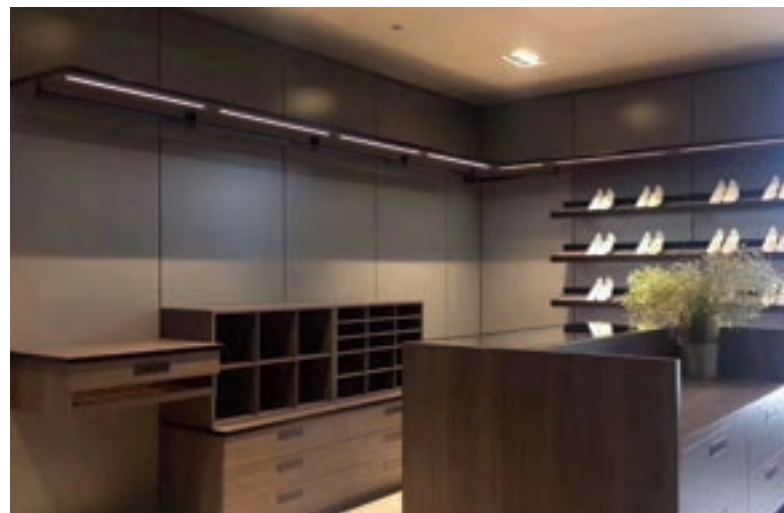
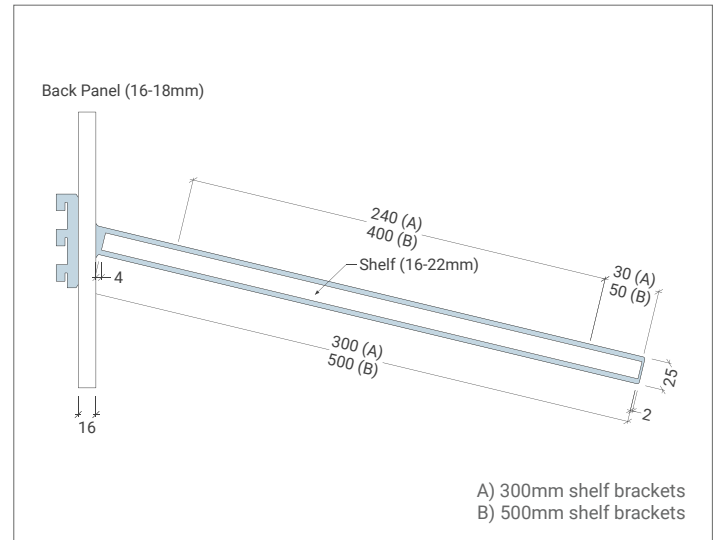


WALL SHELF DRILLING OPTIONS

STRAIGHT SHELVING



ANGLED SHELVING



A special thanks to our loyal customers

for their images of Vogue Doors in various applications.



- Micah Kitchens
- Spotlight Joinery
- Universal Kitchens
- MSM Kitchens
- 76 Build
- Euro Appliances
- Frankie Machine
- Turton Designs
- Sax Furniture Fittings
- Kitch Me Up
- Kinvario
- Motama Kitchens
- Proreno Kitchens
- BM Kitchens
- D5 Artisans





For Quotes or Orders, please contact the Vogue Doors office.

VOGUE DOORS

Unit 16, Montigo Park, 3 Marconi Road
Montague Gardens, Cape Town 7441
+27 21 001 0595

orders@voguedoors.co.za

📞 083 474 7988 📷 @vogue_doors 📘 @voguedoors

www.voguedoors.co.za

DISTRIBUTED BY:

G*GRASS[®]